

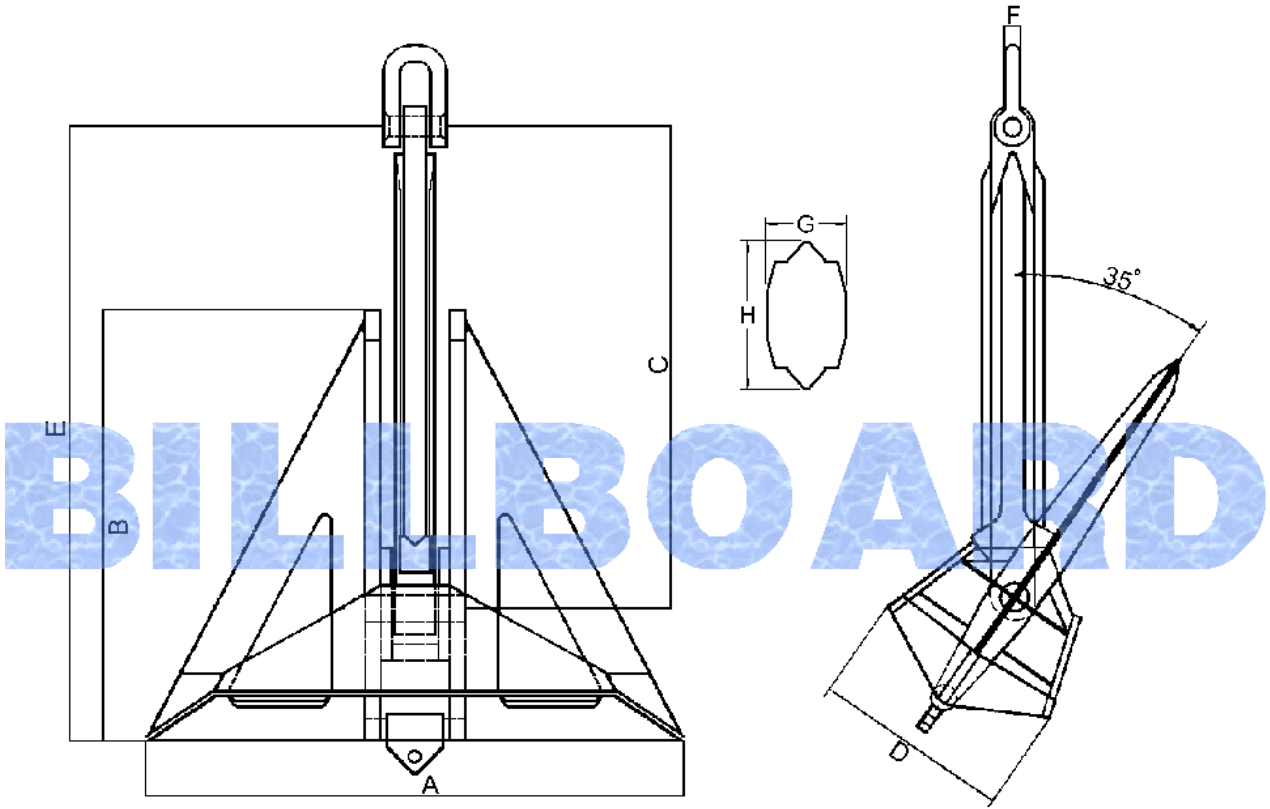
# ANCHOR DIMENSION

## BBI – DELTA (H.H.P. ANCHOR)

Anchor Weight (kg)	Dimensions in mm							
	A	B	C	D	E	F	G	H
300	1200	960	1080	457	1380	50	86	150
500	1500	1200	1350	571	1725	55	108	188
750	1700	1360	1530	647	1955	60	122	213
1000	1875	1500	1686	714	2155	65	135	234
1500	2138	1710	1921	814	2455	70	154	267
2000	2363	1890	2124	900	2715	75	170	295
2500	2544	2035	2289	969	2925	80	183	318
3000	2700	2160	2430	1028	3105	90	194	338
4000	2975	2380	2676	1133	3420	100	214	372
5000	3250	2600	2922	1238	3735	110	234	406
7000	3575	2860	3216	1361	4110	125	257	447
10000	4100	3280	3690	1561	4715	140	295	513
13500	4450	3560	4002	1695	5115	150	300	556
15000	4625	3685	4160	1771	5315	155	310	580
18000	4900	3920	4410	1866	5635	160	353	613
22500	5300	4240	4770	2018	6095	170	381	663
27500	5650	4520	5082	2152	6495	180	406	706
32500	5900	4720	5310	2247	6785	190	424	738

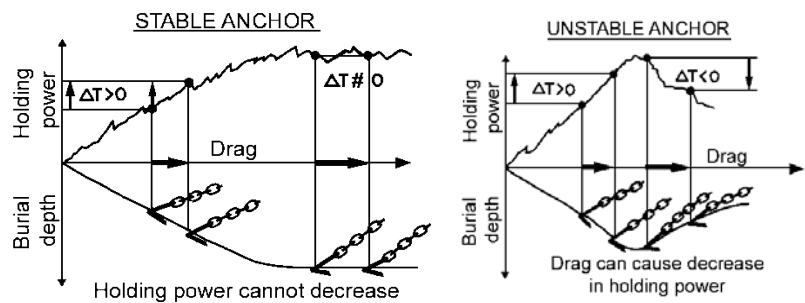


- Remark :
1. High Holding Power Anchor.
  2. Intermediate Sizes available on request.
  3. Approximate Weight and Dimension for reference only.



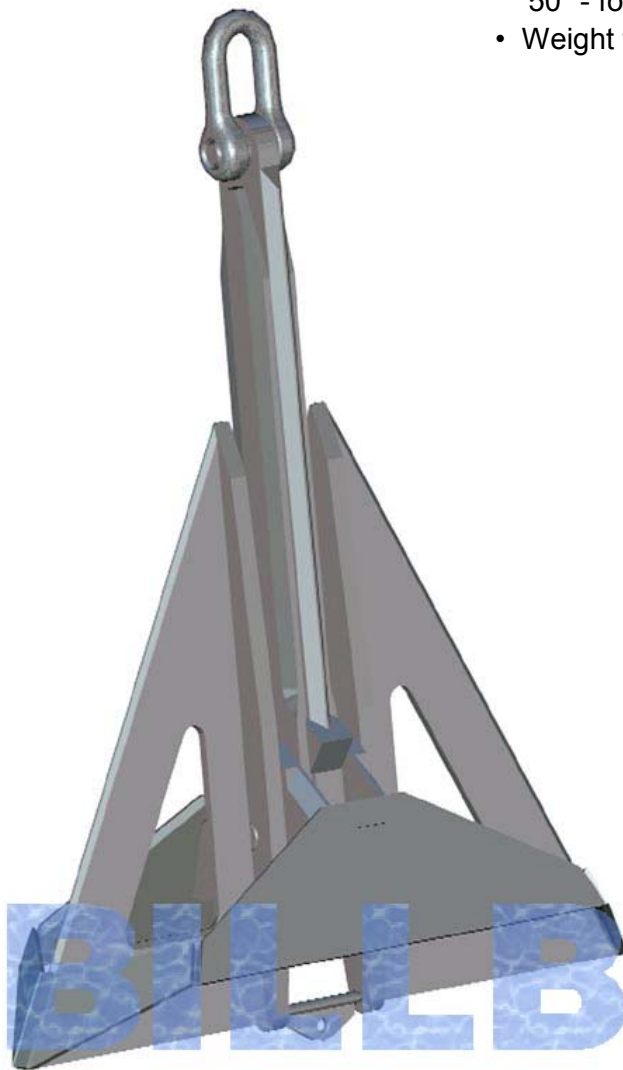
### Stability of Anchor

An Anchor is said to be stable if it can be pulled over load distance without lying on its side, overturning or breaking out from the ground.



# BBI – DELTA ANCHOR

- Advance design to reach the absolute highest capacity.
- Faster penetration, shorter drag distance and enlarged fluke for higher holding capacity.
- 4 Stabilizes keep the Anchor orientated in the soil.
- Padeyes are placed for easier retrieval the Anchor.
- Adjustable fluke / shank angle :
  - 28° - for very hard bottom soils like rock.
  - 35° - for most of soil condition, mud and sand.
  - 50° - for very soft clay.
- Weight from 500Kgs to 32500Kgs.



**CERTIFICATE OF GENERAL APPROVAL  
OF AN ANCHOR DESIGN**

ANCHORIAL

This certificate is issued to BBI Billboard (International) Co. Ltd. to certify that the undernoted anchor design has been examined in accordance with the relevant requirements of Lloyd's Register and has been granted General Approval.

COMPANY:	BBI Billboard (International) Co. Ltd.	
	Hong Kong	
ANCHOR NAME:	BBI Delta Anchor Weight 15000Kgs	
ANCHOR TYPE:	LIT	
MASS RANGE:	15000Kg only	
PROPORTIONS:	√C: 1.512	R/C: 0.249
	T/C: 0.122	F/C: 1.202
APPROVAL DOCUMENTATION:	Plans approved - Date: 28 Jul '99	
	URC No. AD-40 (5-002) Sheets 1 of 1 - Issue C	

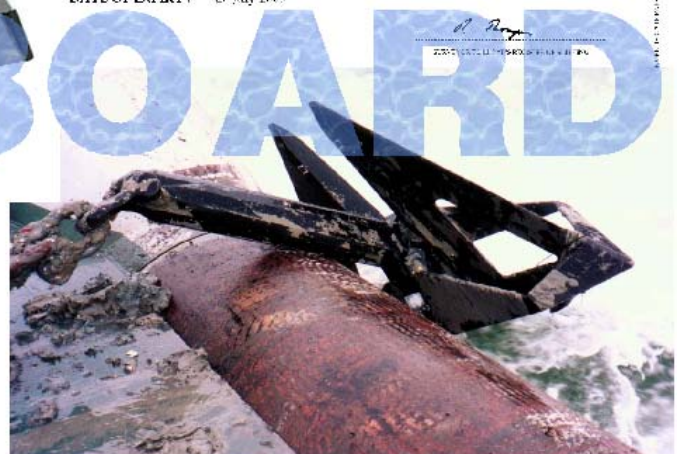
APPLICATION: Individual anchors constructed in accordance with this approval will be accepted for use in the stated mass range for use on vessels flagged with Lloyd's Register subject to the relevant requirements of the Rules.

Individual anchors are to be proof tested in accordance with the Rules.

Materials to be in accordance with the requirements of LR's Rules & Regulations for the Classification of ships.

DATE OF ISSUE: 28 July 1999

DATE OF EXPIRY: 27 July 2008



**Usage :**

- An extremely versatile Anchor for permanent or semi-permanent mooring system and various soil Condition.
- For CALM and SLAM Type SPM Systems :
  - Floating Production Vessels,
  - Storage Vessels,
  - Drilling Rigs, Works Over Vessels,
  - Pipelaying Vessels, Crane Vessels,
  - FPOS's and Fso's.