

# FAIRLEAD ROLLER

**FAIRLEAD ROLLER IN GROUP**

**OTF: Open Type Roller**

**CTF: Close Type Roller**

**TYPE 2-OTF**

Nominal Dia. D (mm)	Dimensions (mm)		
	L	A	B
150	740	420	160
200	930	530	200
250	1100	640	230
300	1270	750	260
350	1440	860	290
400	1610	970	320
450	1800	1080	360

**TYPE 3-OTF**

Nominal Dia. D (mm)	Dimensions (mm)		
	L	A	B
150	1160	420	160
200	1460	530	200
250	1740	640	230
300	2020	750	260
350	2300	860	290
400	2580	970	320
450	2880	1080	360

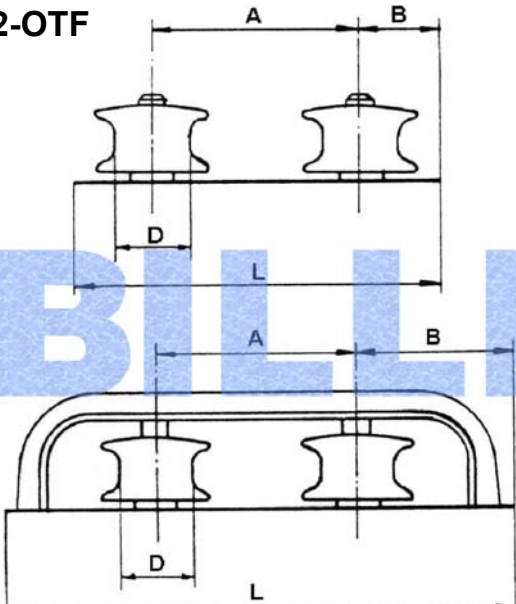
**TYPE 2-CTF**

150	1020	420	300
200	1190	530	330
250	1430	640	395
300	1610	750	430
350	1890	860	515
400	2100	970	565
450	2360	1080	640

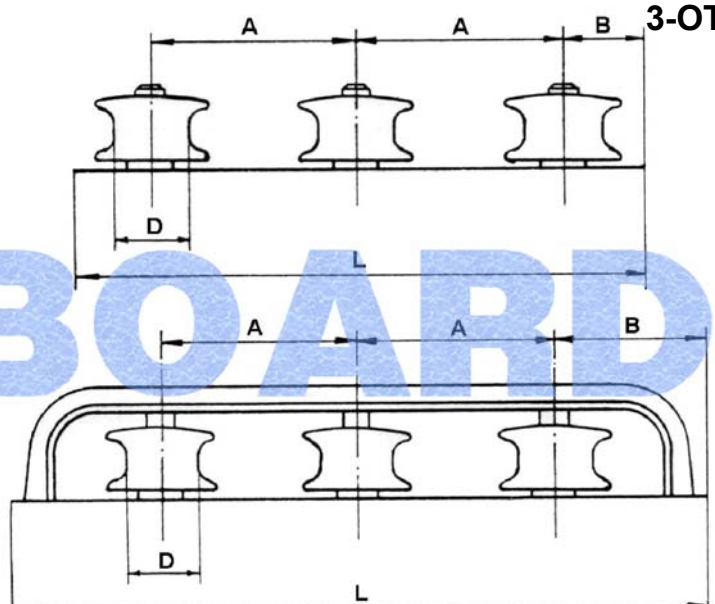
**TYPE 3-CTF**

150	1440	420	300
200	1720	530	330
250	2070	640	395
300	2360	750	430
350	2750	860	515
400	3070	970	565
450	3440	1080	640

**2-OTF**



**3-OTF**



**2-CTF**



**3-CTF**

