

FAIRLEADS – UNIVERSAL ROLLERS

UNIVERSAL FAIRLEAD ROLLER – TYPE FA6 (6 ROLLERS)

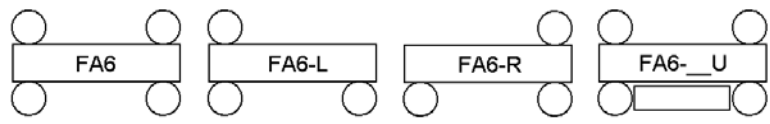
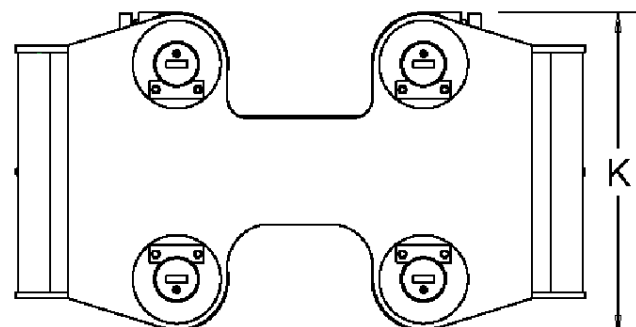
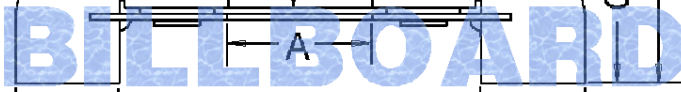
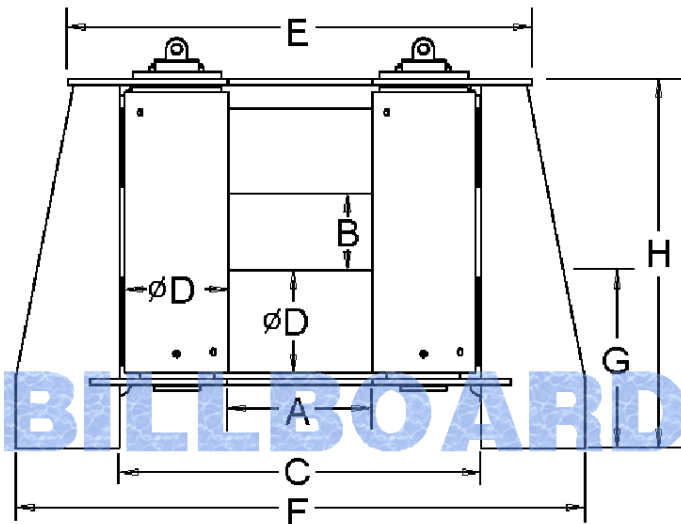
Product Code: AE-3306

Type	Rope Dia. (mm)	Dimensions (mm)									Mass	
		A	B	C	D	E	F	G	H	K	KG1	KG2
FA6 – 12	12	180	100	356	80	446	650	160	370	255	85	95
FA6 – 16	16	230	130	446	100	546	800	200	480	315	145	165
FA6 – 20	20	250	130	506	120	626	900	250	520	375	255	290
FA6 – 24	24	280	160	576	140	716	1000	260	590	432	390	440
FA6 – 32	32	300	160	676	180	836	1200	340	752	549	700	920
FA6 – 40	40	320	180	830	245	1030	1350	450	970	750	1300	1550
FA6 – 48	48	400	250	1018	300	1214	1700	470	1048	930	1700	2100
FA6 – 64	64	500	300	1320	420	1620	2298	720	1475	1280	3600	3800

- Remark:
- Design : For 1 Rope.
 - Mounting : Free on deck, welding into bulwark.
 - Bearing : High performance self-lubricating bearing.
 - SWL, Load Position, Safety Factor and Test Load : Please refer to recommended table (page 1).

Note : KG 1 - 1 Roller on left or right hand side. Total 5 rollers weight.
 KG 2 - Total 6 rollers weight.

FA6 6 Rollers



FA6-40-U (7 Rollers)



FA6-__U One Horizontal Roller in lower at outboard side.