

# QUICK RELEASE TOWING HOOK

**QUICK RELEASE HOOK – DISC TYPE**

Product Code: AE-4060

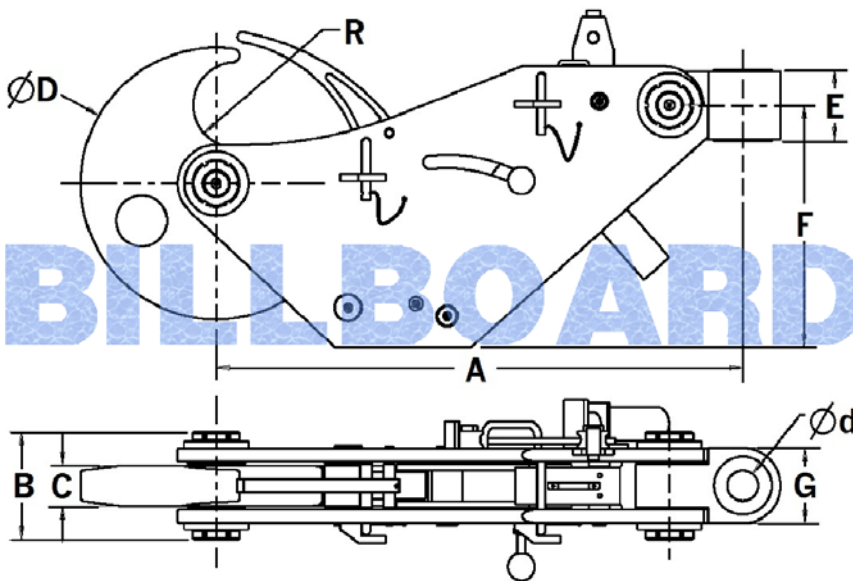
Pull Capacity (Tons)	Dimensions (mm)									Dia. of Mooring Line (mm)	
	A	B	C	D	d	E	F	G	R	Syn. Rope	Wire Rope
5	585	106	40	300	30	68	267	74	47	28	16
10 – 15	776	158	60	400	45	105	356	111	63	36	20
20 – 30	906	197	85	460	65	118	411	141	73	52	28
40 – 50	1217	229	90	617	75	150	550	164	97	68	38
60 – 75	1250	257	95	650	85	160	570	170	102	76	42
80 – 90	1335	260	105	720	100	160	602	180	102	86	48
100	1467	260	110	750	110	170	620	195	115	100	54
125	1592	299	120	800	115	185	650	210	120	106	58
150	1728	339	140	850	135	190	710	250	130	125	64
200	1988	409	180	950	155	215	815	300	140	150	72
300	2233	470	220	1050	170	260	950	320	150	200	85

- Remark :
1. Release Hook can swing 180° and elevate 45°.
  2. Manually Release by wire cable ≤ 20 kgs.
  3. Manual Operation by one of the crew member.
  4. With Safe Locking Device.
  5. Release the loading in Full Tension.

- Optional :
1. Load Sensor and Monitor.
  2. Pneumatic or Hydraulic Cylinder for Remote Control.
  3. Shock Absorbing Devices.



**DT-26**



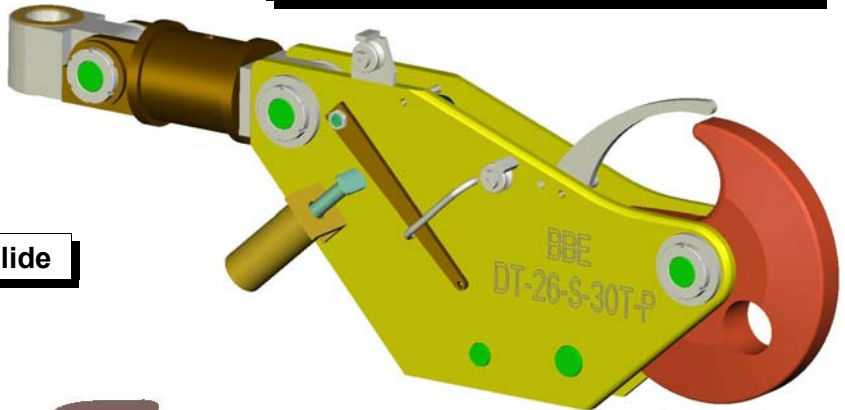
**Proof Load & Release Test**

## BillBoard Engineering Co. Ltd.

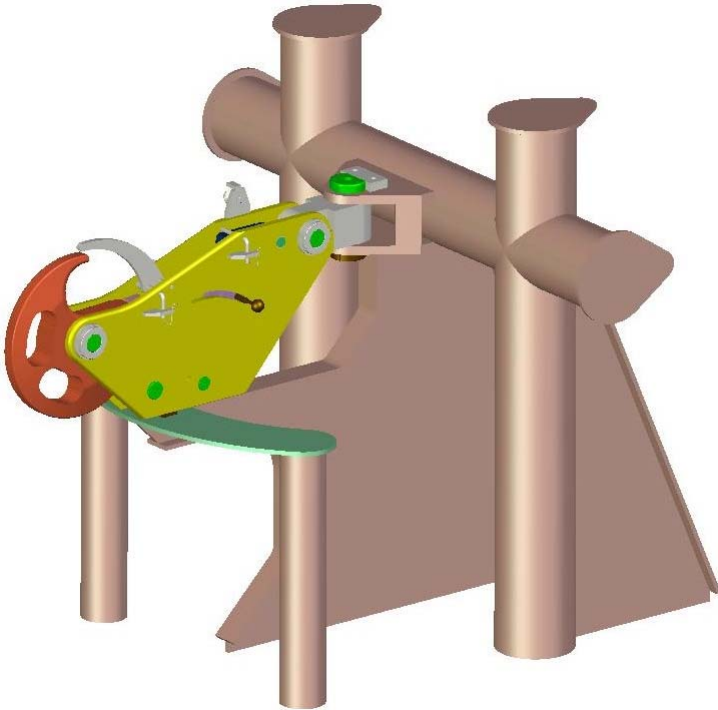
Room 1106, Entrepot Centre, 117 Ming Street, Kwun Tong, Hong Kong.  
 Tel. No. (852) 2797 3972    Web Site : <http://www.billboard.com.hk>  
 Fax No. (852) 2304 7011    E-mail : [info@bbeng.com](mailto:info@bbeng.com)

# QUICK RELEASE TOWING HOOK

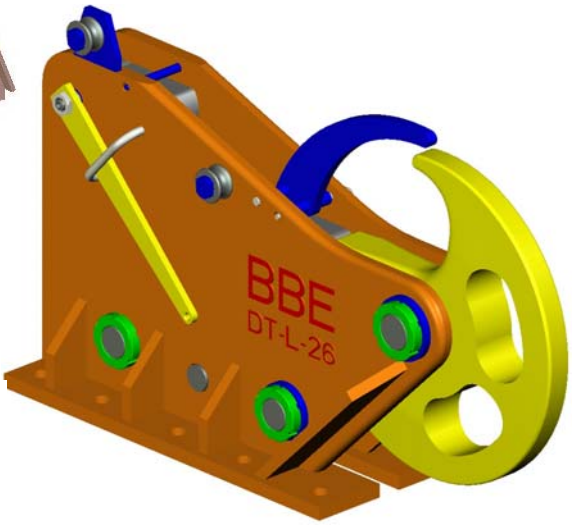
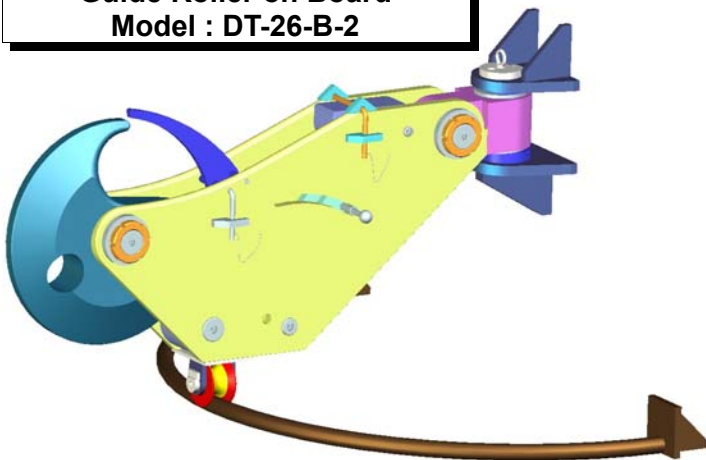
**Hook with Spring Absorbing Services  
Model : DT-26-S**



**Hook with Bitt Mounted and Slide**



**Hook with Pill Mounting and  
Guide Roller on Board  
Model : DT-26-B-2**



**Model : DT-L-26  
Fix Mounted**

**BillBoard Engineering Co. Ltd.**  
Room 1106, Entrepot Centre,  
117 How Ming Street, Kwun Tong, Hong Kong.  
Web Site : <http://www.billboard.com.hk>  
E-mail : [info@bbeng.com](mailto:info@bbeng.com)  
Tel No. (852) 2797 3972 / Fax No. (852) 2304 7011